

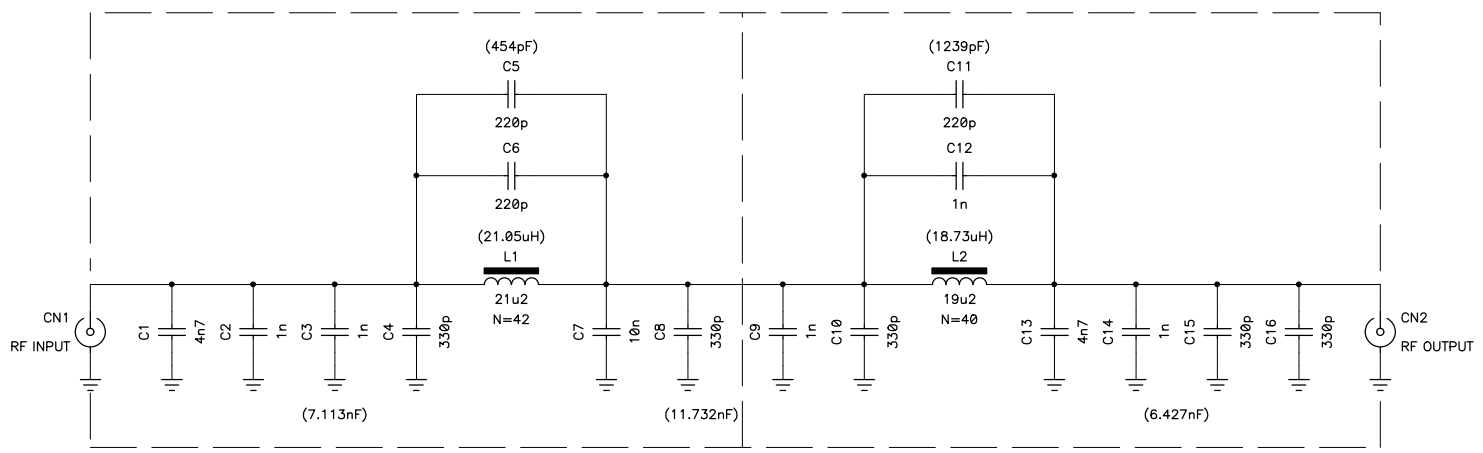
A B C D

1

1

2

2



3

3

Theoretical (ideal) values in brackets (xxx)
 All capacitor are 6kV ceramic
 All inductors are wound on T200-2 cores with 1.2mm diameter Cu enameled wire
 Amidon T200-2 cores:
 AL=120µH (per 100 turns), µ=10,
 øe=50.8mm, øi=31.8mm, h=14.2mm,

Filter design parameters:
 Filter type: 5th order Cauer low-pass filter
 Cutoff frequency: 490 kHz
 Pass-band ripple: 0.1 dB
 Stop-band frequency: 1 MHz
 Stop-band attenuation: >60 dB
 Nominal impedance: 50 Ω

4

4

A B C D

Title		
Medium waves low-pass filter unit		
Size	Number	Rev
A3		
Date	Feb. 1st, 2012	Drawn by HB9DUL
Filename		Sheet of