

A

B

C

D

1

1

2

2

3

3

4

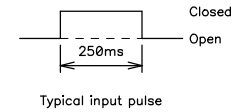
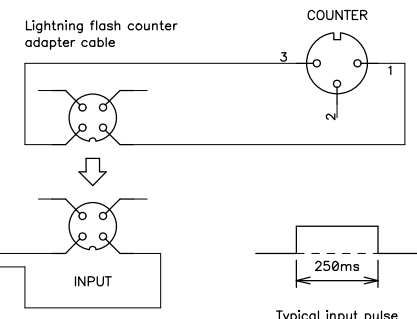
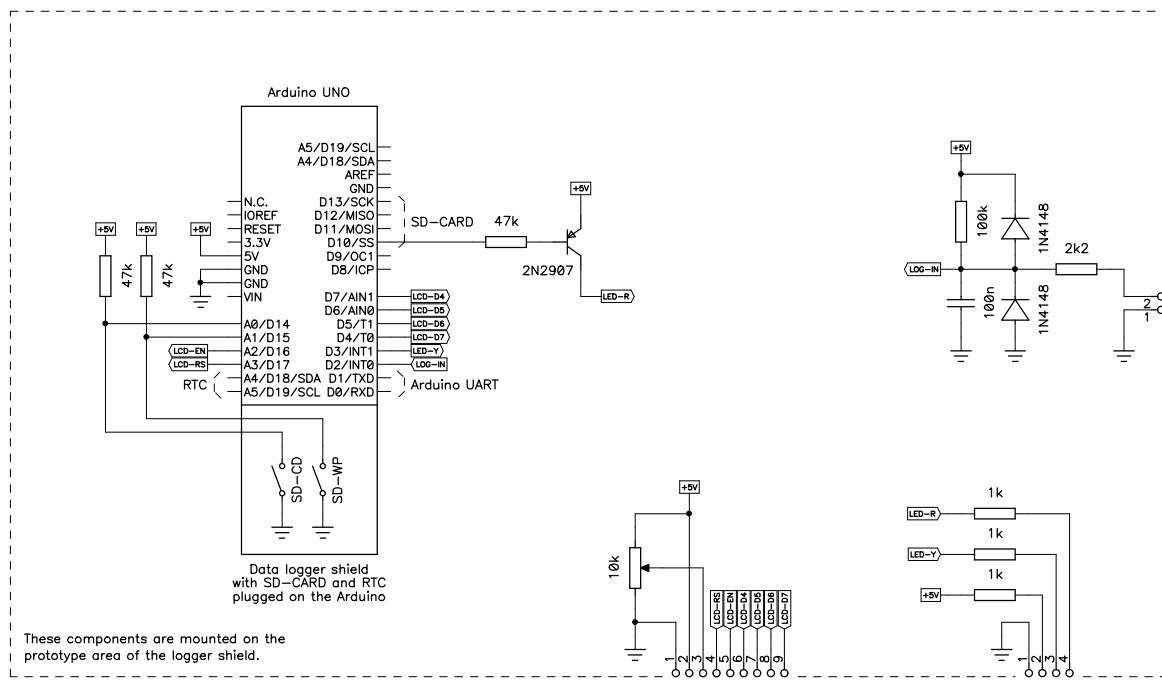
4

A

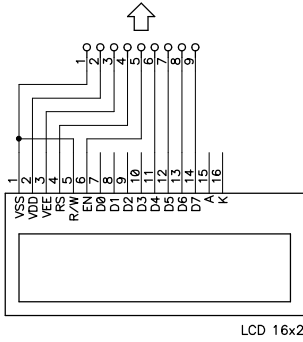
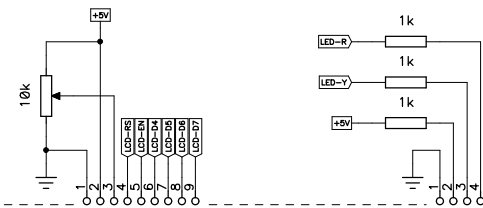
B

C

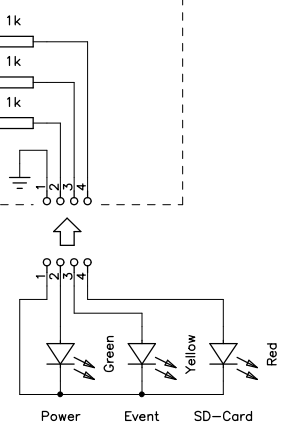
D



These components are mounted on the prototype area of the logger shield.



LCD 16x2



Title		
Lightning flash logger		
Size	Number	Rev
A3		
Date	Jan. 19, 2014	Drawn by HB9DUL
Filename		Sheet of